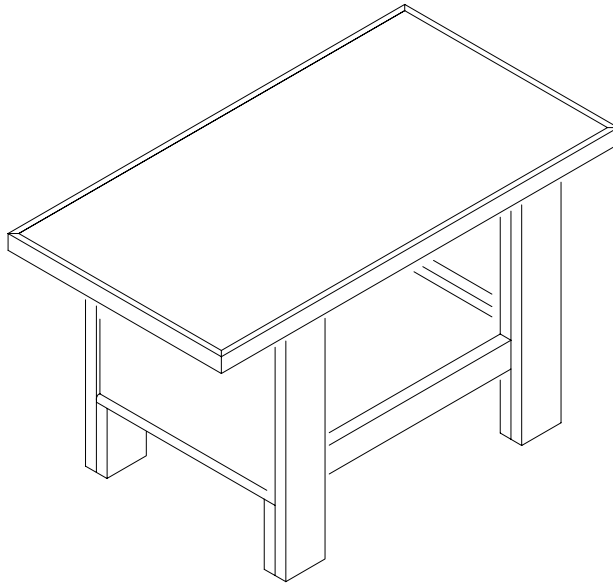


Lumber Workbench

(32 x 60)

by Gary Magliari



Size: 32" x 60" x 34"H

Area:

Top: 14 sq.ft.

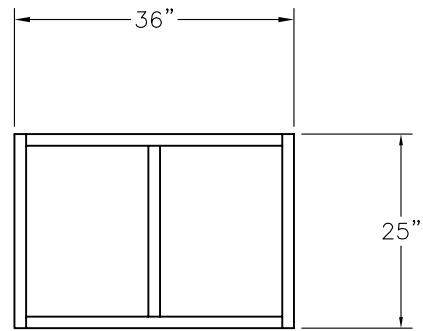
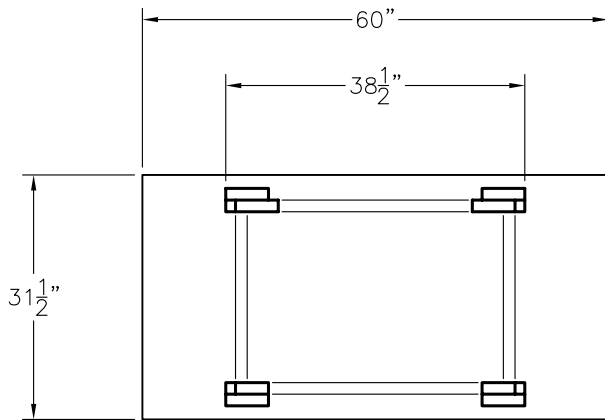
Storage: 5 sq.ft.

Material: Standard two-by and plywood type construction.

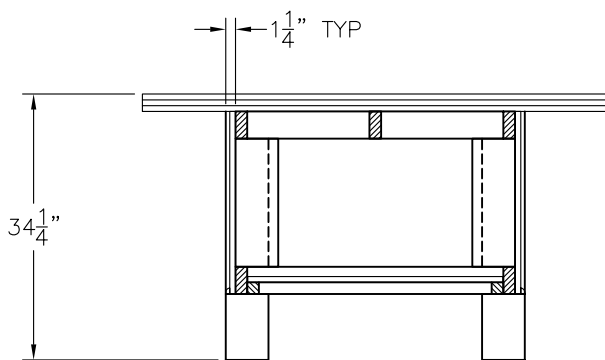
- (3) 2x4x8'
- (2) 2x6x10'
- (2) Sheets 3/4" or 23/32" thick plywood (hardwood or other good grade)
- (3) Tubes polyurethane type construction adhesive (caulking gun size)
- (100) Screws, drywall, #8 x 2 1/2"L, coarse thread
- (30) Screws, drywall, #6 x 2"L, coarse or norm. thread
- (60) Screws, drywall, #6 x 1 1/4"L, norm. thread
- (A/R) Finishing nails, as required

Estimated Cost: \$140.00*

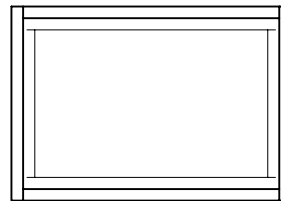
* Cost includes \$80 for two sheets of good quality plywood.
Cost does not allow for optional trim.



UPPER FRAMING



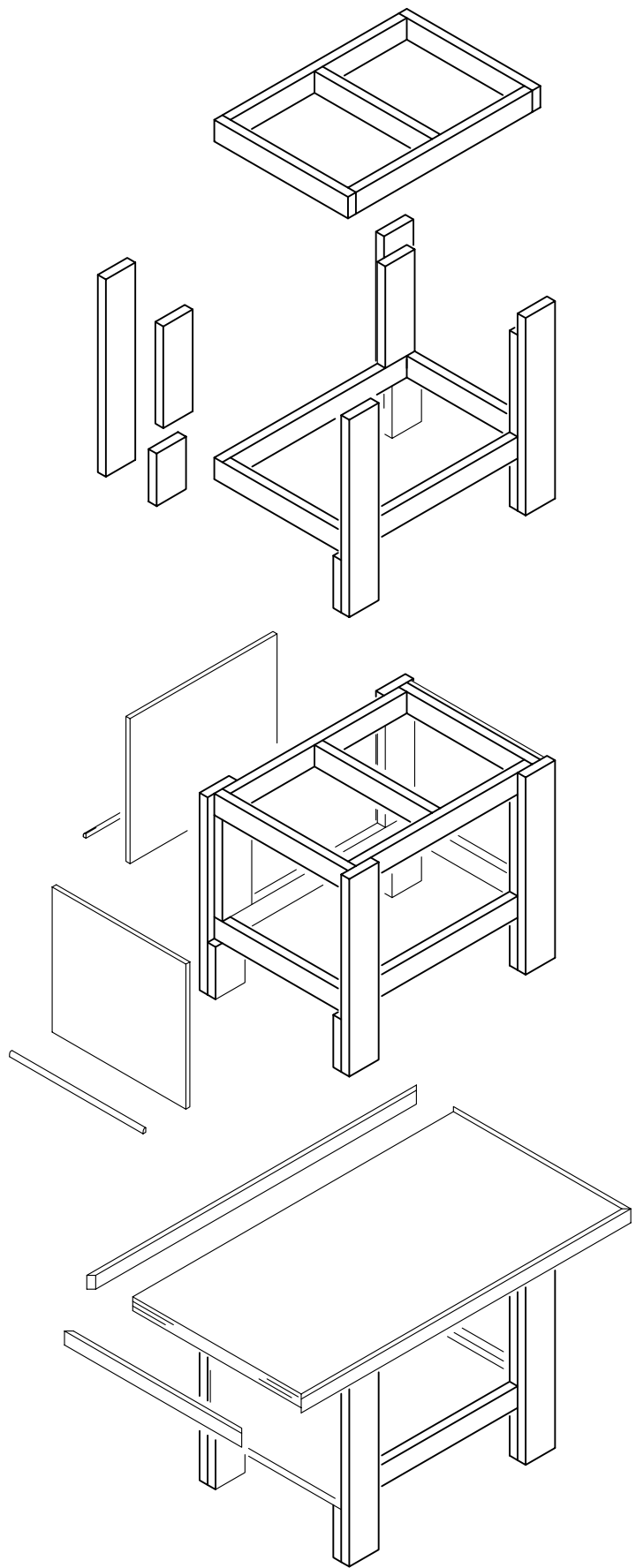
LOWER FRAMING

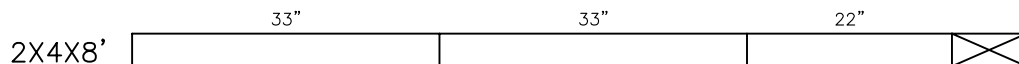
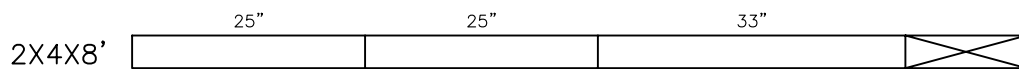
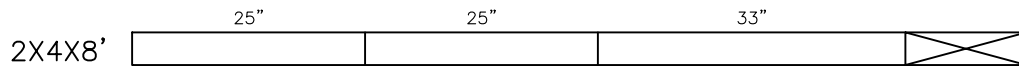
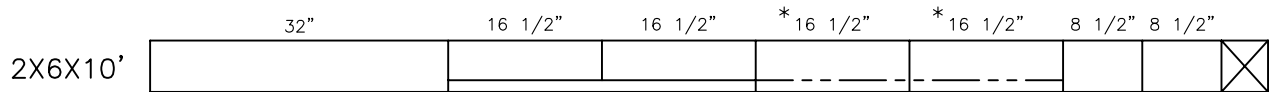
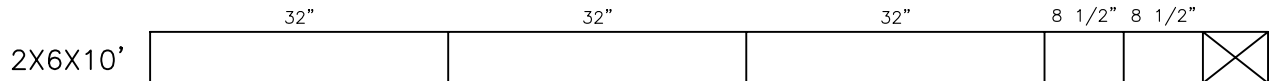
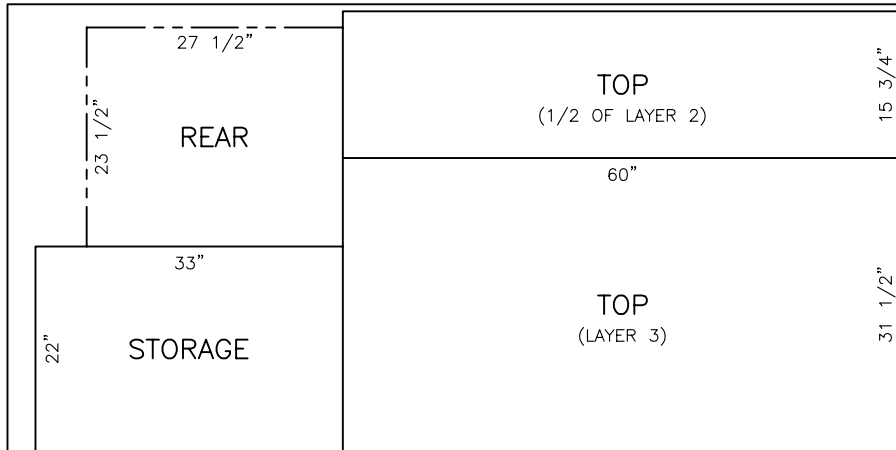
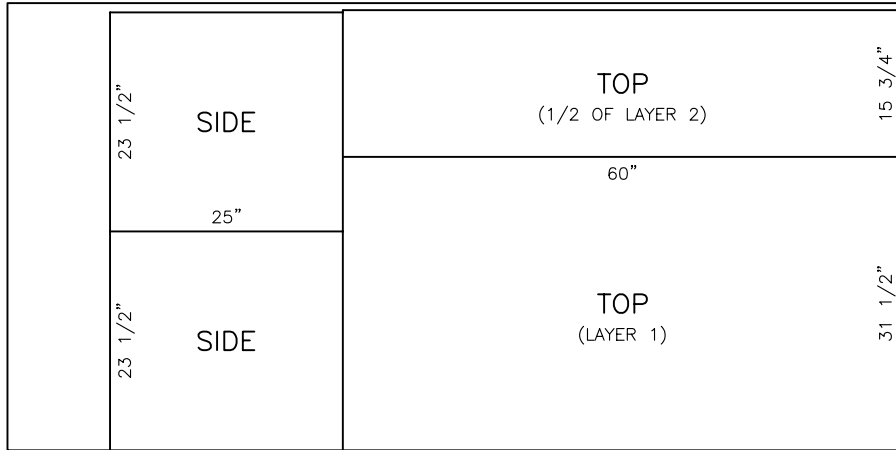


WITH REAR PANEL

BILL OF MATERIAL			
QTY	MATERIAL	DIMENSIONS	DESCRIPTION
4	2 X 6	32" L	LEG
4	2 X 6	8 1/2" L	LEG, SUPPORT
2	2 X 6	4 1/4 X 16 1/2"L	LEG, SUPPORT, FRONT
* 2	2 X 6	16 1/2" L	LEG, SUPPORT, REAR
4	2 X 4	25" L	SUPPORT, HORIZ
4	2 X 4	33" L	SUPPORT, HORIZ
1	2 X 4	22" L	SUPPORT, HORIZ, TIE
2	2 X 2	33" L	SUPPORT, DECK
2	2 X 2	19" L	SUPPORT, DECK
1	3/4 PLY	22" X 33"	DECK, STORAGE
2	3/4 PLY	23 1/2" X 25"	PANEL, SIDE
1	3/4 PLY	23 1/2" X 27 1/2"	PANEL, REAR
3	3/4 PLY	31 1/2" X 60"	TOP
OPT	1/2 X ?	APPROX 78"	TRIM, SIDES & BACK
OPT	3/4 X 2 1/4	APPROX 189"	TRIM, TOP EDGING

* FOR BENCH WITHOUT BACK MAKE THESE ITEMS 4 1/4" X 16 1/2"L.





* FOR BENCH WITHOUT BACK MAKE THESE ITEMS 4 1/4" X 16 1/2"L.